

Safety Instructions



0, 1, 2, 3, 4, 6, 7, 8, 9, 11,
15, 18, 20, 22, 25, 27



Info Hotline

+49 (0) 5041 998 389

Mon.-Do. 7⁰⁰ - 20⁰⁰

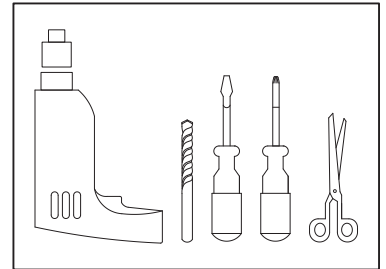
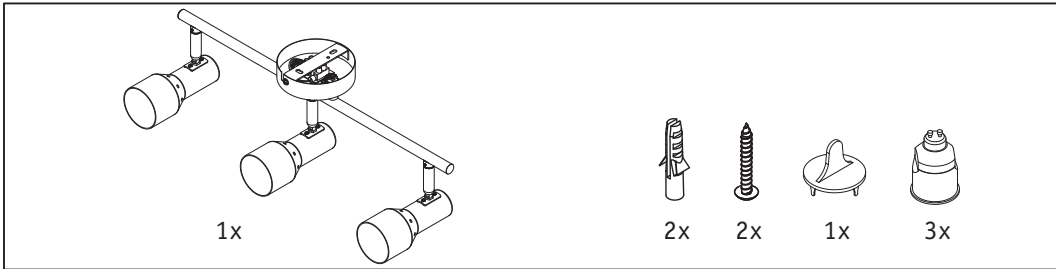
Fr. 7⁰⁰ - 17⁰⁰

Paulmann Licht GmbH
31832 Springe / Germany
www.paulmann.com


Art.-Nr.:
66510

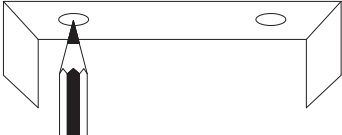
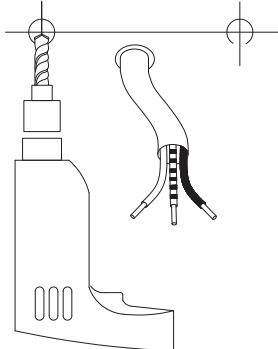
(+MA 173)

PYL 07/09

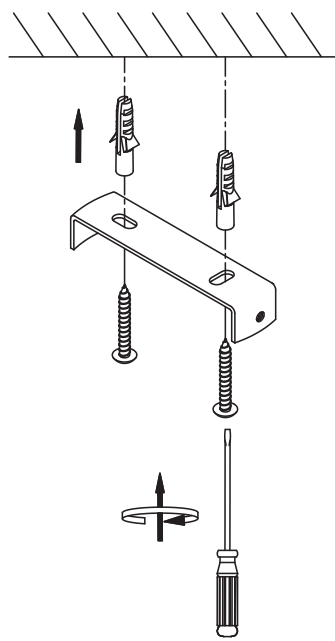


A

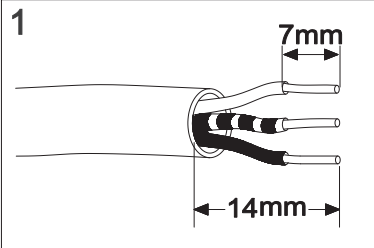
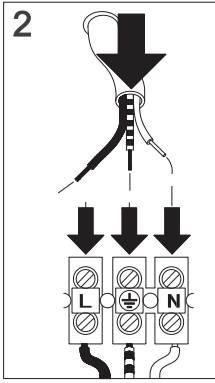
 **Safety Instructions**
Nr. 0, 2


1. 
2. 

B

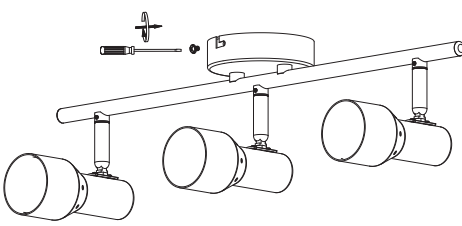


C


1. 
2. 

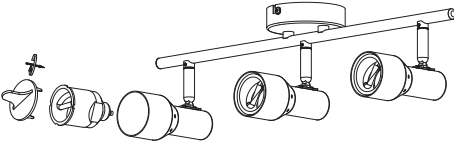
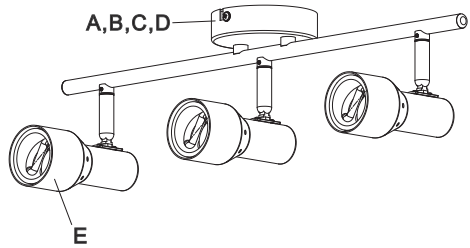
 **Safety Instructions**
Nr. 3, 4


D



E

 **Safety Instructions**
Nr. 7, 8



Art. No.
11W 51mm GU10 882.31